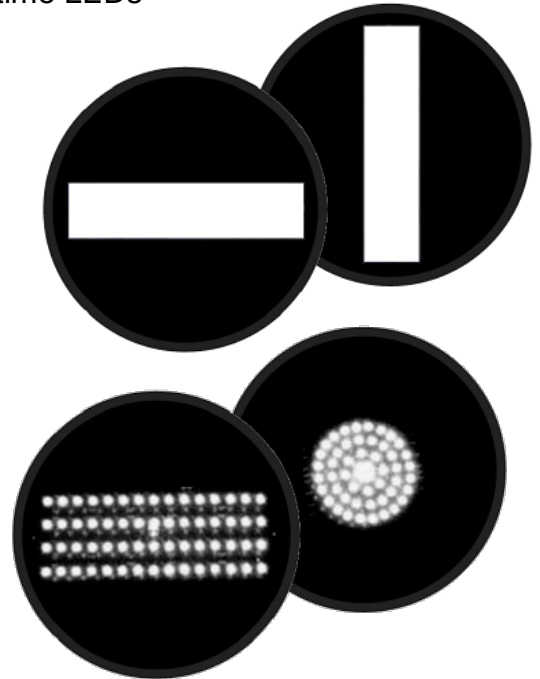
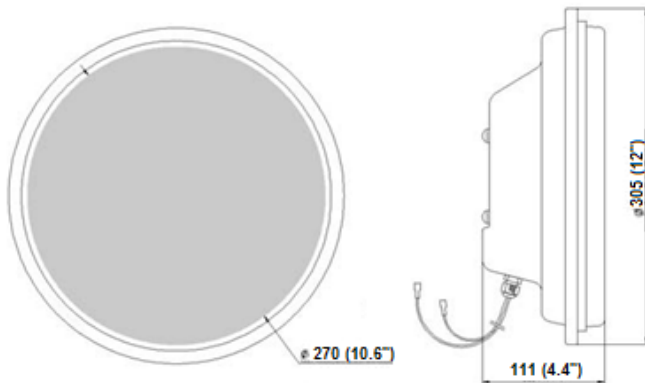


Certified by ISO9001 International Quality Control System

JXR300- Series LED Transit/Railroad Lamps

Features & Specifications

- Conform to applicable ITE specifications
- Low power consumption & long operating lifetime LEDs
- Retrofit design & UV stabilized lens
- MIL-STD-883 mechanical vibration
- MIL-STD-810F moisture resistant
- Compliant to FCC Title 47
- Incandescent look with Hi-Flux technology



Model Number	JXR300- *LWHF	JXR300- *LWHF	JXR300-*LW	JXR300-CW
Size	12"	12"	12"	12"
Symbol	*Horizontal or Vertical			Circular
Color (nm)	White			
Voltage (Typical)	117V - 60hz			
Power (w) Typical	9.5	9.5	7	7
Operation Temp.	-40°F to +165°F			

Note: Products in 220 volts are also available upon request.

All characteristics, including visual characters, chromaticity, moisture and vibration resistance, electronic noise, transient protection, etc., are conformed to standards specified in ITE LED Vehicle Signal Modules.

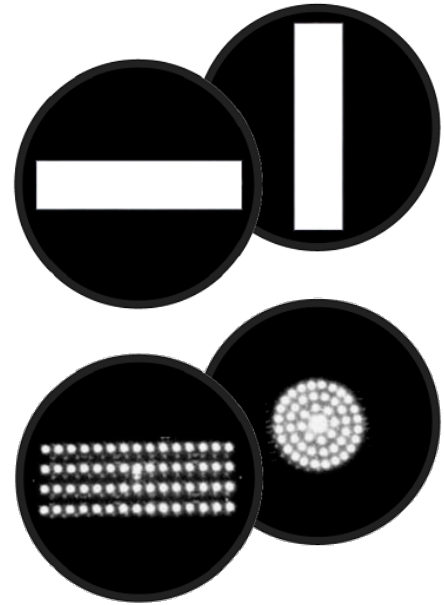
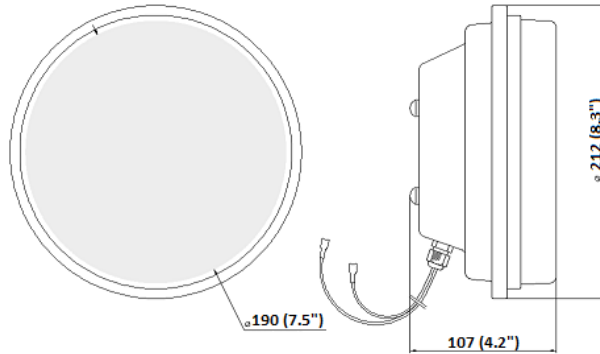
For additional technical information or sales support regarding these and other LED products, please contact us at (972) 480-0888 or visit our website at www.trastarusa.com.

Certified by ISO9001 International Quality Control System

JXR200- Series LED Transit/Railroad Lamps

Features & Specifications

- Conform to applicable ITE specifications
- Low power consumption & long operating lifetime LEDs
- Retrofit design & UV stabilized lens
- MIL-STD-883 mechanical vibration
- MIL-STD-810F moisture resistant
- Compliant to FCC Title 47
- Incandescent look with Hi-Flux technology



Model Number	JXR200- *LWHF	JXR200- *LWHF	JXR200-*LW	JXR200-CW
Size	8"	8"	8"	8"
Symbol	*Horizontal or Vertical			Circular
Color (nm)	White			
Voltage (Typical)	117V - 60hz			
Power (w) Typical	7	7	6	6
Operation Temp.	-40°F to +165°F			

Note: Products in 220 volts are also available upon request.

All characteristics, including visual characters, chromaticity, moisture and vibration resistance, electronic noise, transient protection, etc., are conformed to standards specified in ITE LED Vehicle Signal Modules.

For additional technical information or sales support regarding these and other LED products, please contact us at (972) 480-0888 or visit our website at www.trastarusa.com.